



BAVARIAN AUTOSPORT

On-Board Computer (OBC) Light Bar Installation Instructions

SAFETY WARNING: Be sure the ignition switch is in the OFF position before removing or attaching any electrical connectors.

NOTE: We do not currently have installation instructions for the 6 series.

3 series

84 thru 91

PART NUMBER:

65 81 1 375 461 OBC Light Bar

PROCEDURE - 3 SERIES 84 THRU 91

1. Remove the two phillips screws from the lower faceplate (see Figure 1).
2. Pull off the left heat control knob and the three slider control knobs. Use a small screwdriver to pry up and remove the slider cover plate. Remove the four screws behind the plate (see Figure 2).
3. Using a pair of pliers, gently pull out the second and fourth switches from the left, above the radio. (In this example, these are the window circuit breaker and hazard switches.) Disconnect the plugs from the switches. Remove the two upper faceplate phillips screws (see Figure 3).
4. Gently pull the faceplate out (the heater controls will stay behind), pulling from the right side first. As the top of the faceplate panel comes out, disconnect the wiring plugs from the remaining switches above the radio. Once the faceplate is out, remove the four phillips screws securing the OBC to the faceplate (see Figure 4).
5. Remove the OBC and use a pair of needle nose pliers to pull out the light bar (see Figure 5).
6. Insert the new light bar and re-install everything in reverse order, being careful to position the wiring harnesses, heater controls and tab on the left of the faceplate.

PROCEDURE - 5 SERIES 82 THRU 88

1. Remove the two Phillips head screws at the top of the instrument cluster, which secure the cluster assembly into the dashboard (see Figure 6).
2. Pull the cluster out slightly and turn it at a 45° angle so that the right side is pulled out farther than the left side.
3. The two screws securing the right side faceplate for the OBC are now exposed (see Figure 7). Remove the screws and pull the faceplate assembly from the cluster by angling it as required and pulling toward the rear of the car.
4. Gently turn the faceplate assembly to expose the three wiring connectors. Remove the connectors from the rear window defogger and hazard switches. Pull out the center lock on the OBC connector and slide the connector off.
5. Note the white plastic end of the light bar on the side of the OBC, behind the display area. Pull the light bar out using needle nose pliers (similar to Figure 5). Push the new light bar into position in the OBC.
6. Reinstall the wiring connectors and install the OBC and faceplate assembly into the dash. Reinstall the cluster.



Call Toll Free: **1.800.535.2002**

PROCEDURE - 7 SERIES 85 THRU 87

1. Remove the front ashtray. Remove the four phillips head screws securing the ashtray frame assembly to the console and remove the ashtray frame.
2. Reach into the ashtray mounting cavity and locate the two hex head bolts securing the lower edge of the radio/heater control faceplate (see Figure 8). The bolts are screwed upward through the tangs on the rear of the faceplate.
3. Remove the four phillips head screws along the upper edge of the radio/heater control faceplate, that screw upward into the dash (see Figure 8).
4. Pull the faceplate assembly out of the dash. Remove the four phillips head screws securing the OBC to the faceplate (similar to Figure 4).
5. Remove the OBC and use a pair of needle nose pliers to remove the white plastic light bar (similar to Figure 5).
6. Re-install the OBC to the faceplate and install the faceplate and ashtray assemblies.



Figure 1



Figure 2

Call Toll Free: **1.800.535.2002**



Figure 3

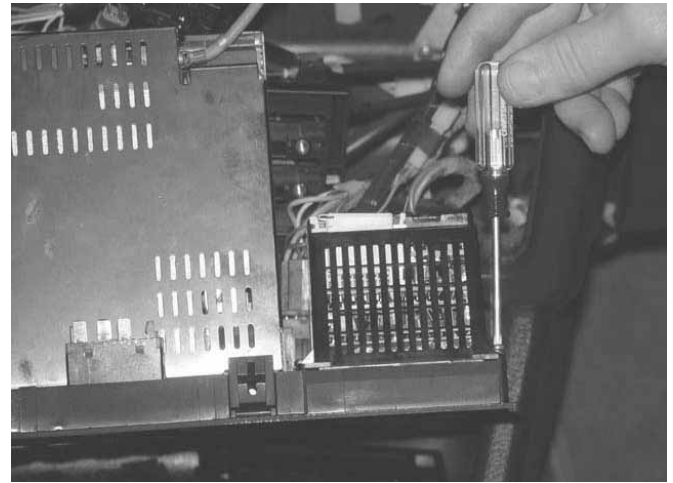


Figure 4



Figure 5

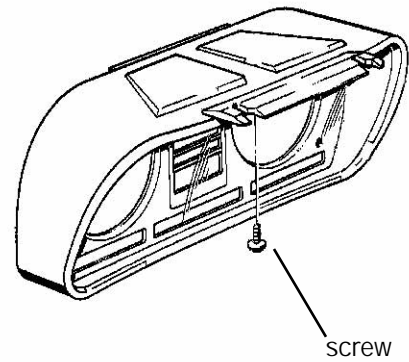


Figure 6

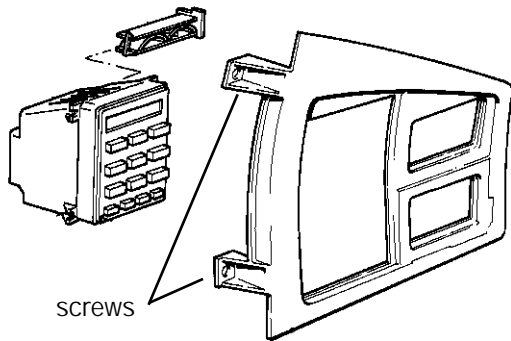


Figure 7

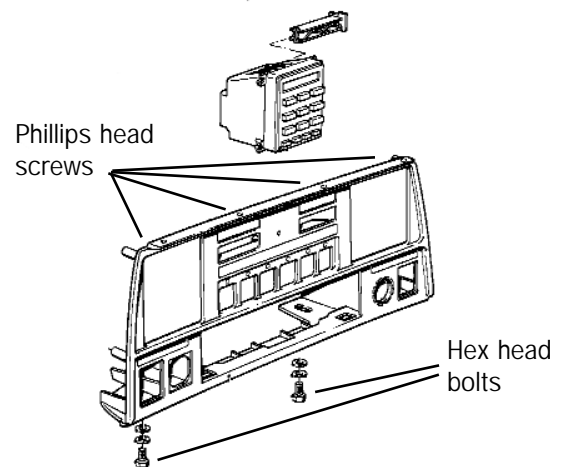


Figure 8

